

# Compact-Y EXP Range TXAEY 245÷265

Cooling capacity: 42.6÷61.9 kW - Heating capacity: 47.8÷67.9 kW



**EXP** SYSTEMS  
Excellence in Polyvalent technology



## EXPsystems - Polyvalent ecological air-cooled system with axial fans. Range with hermetic Scroll compressors and R410A refrigerant gas.

### Construction features

- Compressor: hermetic, rotary Scroll compressor, complete with thermal protection and crankcase heater.
- Main and secondary heat exchanger: adequately insulated stainless steel plate exchanger, complete with antifreeze heater and water flow differential pressure switch.
- Air side heat exchanger: finned coil exchanger with copper pipes and aluminium fins.
- Fan: electric axial fans with external rotor, equipped with internal thermal protection, protection grilles and proportional electronic device for continuous fan rotation speed regulation.
- Control: microprocessor electronic control, iDRHOSS compatible, with Adaptive Function logic.
- Structure: in galvanised and painted sheet steel.

### Models

- TXAEY: standard EXPsystems unit.

### FACTORY FITTED ACCESSORIES

- PUMP (for main circuit only) with single or double pump, including an automatic pump in standby, complete with expansion tank, air bleed valves, safety valve and water side pressure gauge.

The pumps are available in the low or high pressure versions.

- TANK&PUMP (for main circuit only) with water buffer tank and single or double pump, including an automatic pump in standby, complete with expansion tank, air bleed valve, safety valve and water pressure gauge. The pumps are available in the low or high pressure versions.
- Silenced configuration.
- Refrigerant circuit high and low pressure gauges.
- Protection coil grilles.
- Antifreeze electric heater for buffer tank and pumps.
- Digital input for double set-point
- 4-20 mA analogue input for shifting set-point.

### ACCESSORIES SUPPLIED LOOSE

- Protection coil grilles
- Antivibration rubber mountings.
- Water filter
- Remote keyboard with display.
- Clock card
- Serial interfaces for connection to BMS (proprietary protocol, Modbus RTU, LonWorks).
- Serial converters (RS485/RS232, RS485/USB) in the case of centralised unit management.
- Serial interface (CAN-bus - Controller Area Network) for the iDRHOSS system.
- GSM 900/1800 modem kit for remote unit management.
- RHOSS supervision software for unit monitoring and remote management.



OUTDOOR  
INSTALLATION



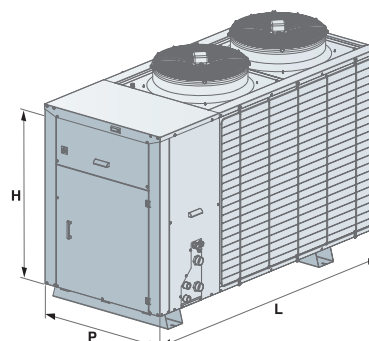
TXAEY MODEL		245	250	260	265
❶ Nominal cooling capacity <b>(AUTOMATIC 1)</b>	kW	42,6	50,6	58,2	61,9
❷ Recovery heating capacity <b>(AUTOMATIC 2)</b>	kW	54,4	65,0	71,8	81,1
❸ Nominal heating capacity <b>(SELECT 1-2 AUTOMATIC 3)</b>	kW	47,8	55,8	62,2	67,9
❶ Absorbed power (*) <b>(AUTOMATIC 1)</b>	kW	16,8	18,5	21,6	24,0
❷ Absorbed power (*) <b>(AUTOMATIC 2)</b>	kW	13,6	15,5	17,1	19,0
❸ Absorbed power (*) <b>(SELECT 1-2 AUTOMATIC 3)</b>	kW	16,6	18,6	20,5	23,3
❹ C.O.P. <b>(AUTOMATIC 2)</b>		6,94	7,30	7,32	7,48
❺ E.E.R. (EN 14511:2004)		3,36	3,34	3,39	3,44
❻ C.O.P. (EN 14511:2004)		3,93	3,94	3,93	3,97
❼ Sound pressure level	dB(A)	56	56	57	57
❽ Silenced version sound pressure level	dB(A)	53	53	54	54
Scroll/step compressor	No.	2/1	2/1	2/1	2/1
Circuits	No.	1	1	1	1
Main supply	V-ph-Hz	400-3+N-50	400-3+N-50	400-3+N-50	400-3+N-50
<b>DIMENSIONS AND WEIGHTS</b>		<b>245</b>	<b>250</b>	<b>260</b>	<b>265</b>
<b>W</b> - Width	mm	2.260	2.260	2.260	2.260
<b>H</b> - Height	mm	1.570	1.570	1.570	1.570
<b>D</b> - Depth	mm	1.000	1.000	1.000	1.000
Weight <b>TXAEY</b>	kg	735	775	795	825

**In the following conditions:**

- ❶ Air: 35°C - Water: 7/12°C.
- ❷ Air: 7°C D.B. - 6°C W.B. - Water: 40/45°C.
- ❸ At 5 m from the unit in free field (Q = 2).
- ❹ Evaporator water: 7/12°C. Recovery outlet water 45°C - Nominal flow.

❺ Energy rates calculated in compliance with Standard EN 14511:2004, in the condition prescribed by the italian government (D.M. 7 August 2009). Only for italian market.

(\*) Unit without pump.



WATER CHILLERS  
HEAT PUMPS  
AIR cooled  
AXIAL fans

WATER CHILLERS  
HEAT PUMPS  
AIR cooled  
CENTRIFUGAL fans

WATER CHILLERS  
HEAT PUMPS  
WATER cooled  
CONDENSERLESS UNITS

INDUSTRIAL &  
PROCESS COOLING

EXP  
Polyvalent systems

CONDENSING UNITS

SYSTEM ACCESSORIES

FAN COIL UNITS

TERMINAL UNITS